

Euro Style Industrial Process Pressure Gauges(321P & 341P Series)

Applications

- Corrosion resistance
- Chemical & petrochemical
- Power generation
- Pumps, compressors and regulators
- Refining & marine industry
- Sea water application (only monel)

Working Pressure

Steady : 3/4 of full scale value (recommendation : 25% to 75% of full scale)

Fluctuating : 2/3 of full scale value(recommendation : lower 50% of full scale)

Short time : full scale value(63mm), 130% of full scale value(over range protection)(100mm & 160mm)

Operating Temperature

Ambient : -20 ~ 60°C

Media(Fluid) : + 80°C maximum



Special Notes

1. This series follows the design of EN 837-1.

Standard Specification Overview

Dial Size

63mm(2.5"), 100mm(4") & 160mm(6.5")

Reference Accuracy

63mm : $\pm 1.6\%$ of Full Scale

100mm & 160mm : $\pm 1.0\%$ of Full Scale(ASEM B40.1 Grade 1A)

Scale Ranges *

63mm : Vacuum, Compound & 0 ~ 0.6 to 0 ~ 1000 bar

100mm & 160mm : Vacuum, Compound & 0 ~ 0.6 to 0 ~ 1000 bar

* For more information, see the ordering information table.

Pressure Connection

63mm : NPT 1/4"

100mm & 160mm : NPT 1/2"

* No throttling screw inserted in the pressure port.

Ring Type

Bayonet

Material

Case : 304 SS with pressure relief on top(63mm) or blow out disk on back(100mm & 160mm)

Ring(Cover) : 304SS

Window : Glass (63mm), Laminated Safety Glass(100mm & 160mm)

Pointer : Aluminum Alloy, Black Finished

Connection : 316 SS, Monel(Optional S8)

Element : 316 SS, Monel(Optional S8)

Movement : 316SS

Dial Plate : White Aluminum with Black Graduations

Degree of Protection

IP 65

Optional Extra

Code T1 : Test Report by Manufacturer

Code T2 : Test Report by KOLAS(ILAC-MRA)

Code S8 : Monel Connection & Element

Code C1 : Cleaning Service(USE NO OIL)

Code C2 : Supersonic Cleansing Service

Code R1 : Throttling Screw(Restriction Orifice)

Ordering Information for 321P & 341P Series

Model	Description	Case & Ring	Wetted Parts		
321P	Euro Style Industrial Process Pressure Gauges	304 SS	316 SS		
341P	Monel Wetted Part Euro Style Industrial Process Pressure Gauges	304 SS	Monel		
Code	Dial Size	Accuracy	321P	341P	
26	63mm(2.5")	± 1.6% of F.S.	■	■	
40	100mm(4")	± 1.0% of F.S.	■	■	
65	160mm(6.5")	± 1.0% of F.S.	■	■	
Code	Mounting Type		25	40	65
A	Bottom Connection without Mounting Flange		■	■	■
B	Bottom Connection with Back Mounting Flange		■	■	■
D	Center Back Connection without Mounting Flange		■	■	■
L	Lower Back Connection without Mounting Flange		■	■	■
F	Center Back Connection with 3-hole Front Mounting Flange		■	■	■
J	Lower Back Connection with 3-hole Front Mounting Flange		■	■	■
Code	Process Connection Style		25	40	65
2	PT("R" in ISO Standard)		★	★	★
4	NPT		■	■	■
X ⁽¹⁾	Others		★	★	★
Code	Process Connection Size		25	40	65
c	1/4"		■	NA	NA
F	1/2"		NA	■	■
Code	Pressure Range		25	40	65
501	-1 ~ 0 bar		■	■	■
502	-1 ~ 0.6 bar		■	■	■
503	-1 ~ 1.5 bar		■	■	■
504	-1 ~ 3 bar		■	■	■
506	-1 ~ 5 bar		■	■	■
507	-1 ~ 9 bar		■	■	■
508	-1 ~ 15 bar		■	■	■
509	-1 ~ 24 bar		■	■	■
611	0 ~ 0.6 bar		■	■	■
612	0 ~ 1 bar		NA	■	■
613	0 ~ 1.6 bar		■	■	■
614	0 ~ 2.5 bar		■	■	■
615	0 ~ 4 bar		■	■	■
616	0 ~ 6 bar		■	■	■
618	0 ~ 10 bar		■	■	■
619	0 ~ 16 bar		■	■	■
621	0 ~ 25 bar		■	■	■
623	0 ~ 40 bar		■	■	■
625	0 ~ 60 bar		■	■	■
627	0 ~ 100 bar		■	■	■
628	0 ~ 160 bar		■	■	■
629	0 ~ 250 bar		■	■	■

631	0 ~ 400 bar	■	■	■
633	0 ~ 600 bar	■	■	■
635	0 ~ 1000 MPa	■	■	■

* bar is the standard dial scale but others are available upon request.

Code	Applicable Accessory Options ⁽²⁾
J0	Not Apply
J1	Adapter
J2	Gauge Unions
J3	Syphon Tubes
J4	Pulsation Dampeners
J5	Pressure Snubber
J7	Gauge Savers(Gauge Protectors)
J8	Instrument Valves

Code	Options	25	40	65
Test Reports				
T1	Test Report by Manufacturer	★	★	★
T2	Test Report by KOLAS(ILAC-MRA)	★	★	★
Other Option				
C1	Cleaning Service(USE NO OIL)	★	★	★
C2	Supersonic Cleansing Service	★	★	★
R1	Throttling Screw(Restricting Orifice)	★	★	★

Sample Model Selection : 321P40A4F118J0T1

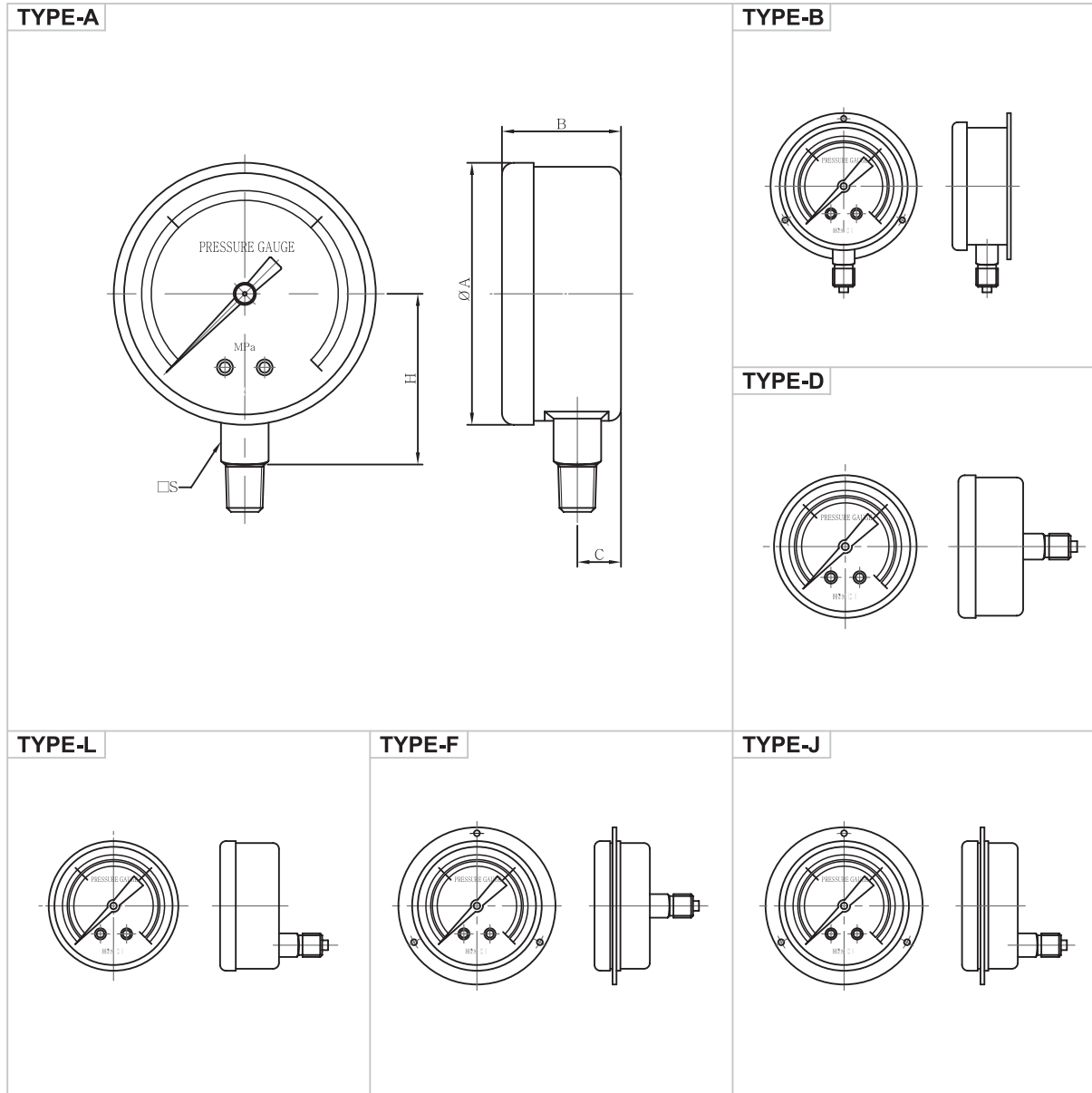
Note 1. Other connection styles are available on request.

Note 2. On selecting of accessory option, excluding J0, go to Accessory Model(PA XXX) for the detail selection.

■ = Standard Products ★ = Available NA = Not Available

* The standard specification and price are subject to change without prior notice.

■ Euro Style Industrial Process Pressure Gauges(321P & 341P Series)



Code	Dial Size	(Available Type)	A	B	C	S	H
26	$\phi 63$	A,B,D,L,F,J	64	34	11	14	44
40	$\phi 100$	A,B,D,L,F,J	100	46	18	19	70
65	$\phi 160$	A,B,D,L,F,J	154	45	18	19	100